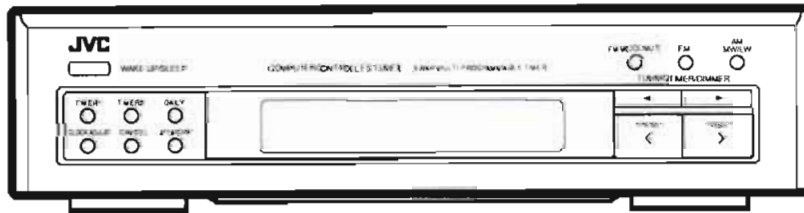


# JVC

## SERVICE MANUAL

### COMPACT COMPONENT SYSTEM

## DX-MX77TN/CA-MX77TN (UNIT NO. FX-MX77TN)



- \* For instruction manual, please refer to the CA-MX77TN(S.M.NO.20311) or DX-MX77TN(S.M.NO.20312).
- \* AX-MX77TN is needed(for power supply etc.) when servicing.

## Contents

Safety Precaution.....	1-2	FM/AM Tuner Alignment Procedures.....	1-10
Specifications.....	1-3	ClockGenerator Frequency Adjustment.....	1-11
Description of Major LSIs.....	1-4	Schematic Diagrams.....	Insertion
Internal Connection for the FL Display Tube.....	1-8	Printed Circuit Board.....	Insertion
Disassembly Procedures.....	1-9	Block Diagram.....	Insertion
Connection Diagram.....	1-9	Parts List.....	Insertion

## Safety Precautions

1. The design of this product contains special hardware and many circuits and components specially for safety purposes. For continued protection, no changes should be made to the original design unless authorized in writing by the manufacturer. Replacement parts must be identical to those used in the original circuits. Services should be performed by qualified personnel only.
2. Alterations of the design or circuitry of the product should not be made. Any design alterations of the product should not be made. Any design alterations or additions will void the manufacturer's warranty and will further relieve the manufacture of responsibility for personal injury or property damage resulting therefrom.
3. Many electrical and mechanical parts in the products have special safety-related characteristics. These characteristics are often not evident from visual inspection nor can the protection afforded by them necessarily be obtained by using replacement components rated for higher voltage, wattage, etc. Replacement parts which have these special safety characteristics are identified in the Parts List of Service Manual. Electrical components having such features are identified by shading on the schematics and by ( $\Delta$ ) on the Parts List in the Service Manual. The use of a substitute replacement which does not have the same safety characteristics as the recommended replacement parts shown in the Parts List of Service Manual may create shock, fire, or other hazards.
4. The leads in the products are routed and dressed with ties, clamps, tubings, barriers and the like to be separated from live parts, high temperature parts, moving parts and/or sharp edges for the prevention of electric shock and fire hazard. When service is required, the original lead routing and dress should be observed, and it should be confirmed that they have been returned to normal, after re-assembling.

### 5. Leakage current check (Electrical shock hazard testing)

After re-assembling the product, always perform an isolation check on the exposed metal parts of the product (antenna terminals, knobs, metal cabinet, screw heads, headphone jack, control shafts, etc.) to be sure the product is safe to operate without danger of electrical shock.

Do not use a line isolation transformer during this check.

- Plug the AC line cord directly into the AC outlet. Using a "Leakage Current Tester", measure the leakage current from each exposed metal parts of the cabinet, particularly any exposed metal part having a return path to the chassis, to a known good earth ground. Any leakage current must not exceed 0.5mA AC (r.m.s.).

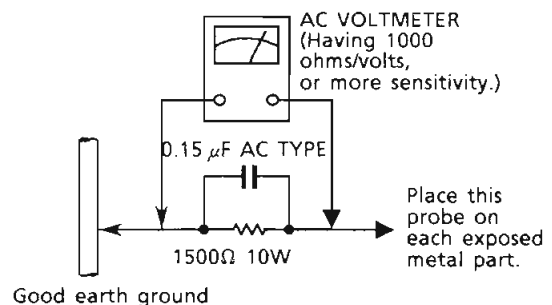
#### ● Alternate check method

Plug the AC line cord directly into the AC outlet. Use an AC voltmeter having, 1,000 ohms per volt or more sensitivity in the following manner. Connect a 1,500 $\Omega$  10 W resistor paralleled by a 0.15  $\mu$ F AC-type capacitor between an exposed metal part and a known good earth ground.

Measure the AC voltage across the resistor with the AC voltmeter.

Move the resistor connection to each exposed metal part, particularly any exposed metal part having a return path to the chassis, and measure the AC voltage across the resistor.

Now, reverse the plug in the AC outlet and repeat each measurement. Any voltage measured must not exceed 0.75 V AC (r.m.s.). This corresponds to 0.5 mA AC (r.m.s.).



## Warning

1. This equipment has been designed and manufactured to meet international safety standards.
2. It is the legal responsibility of the repairer to ensure that these safety standards are maintained.
3. Repairs must be made in accordance with the relevant safety standards.
4. It is essential that safety critical components are replaced by approved parts.
5. If mains voltage selector is provided, check setting for local voltage.

# Specifications

## FM TUNER SECTION

Tuning range : 87.5 MHz — 108.0 MHz  
 Usable sensitivity : 0.95 $\mu$ V / 75 ohms(10.8 dBf)  
 Signal-to-noise ratio : MONO (at 85dBf) 80 dB / 72dB  
 (IHF-A Weighted / DIN) STEREO (at 85dBf) 73 dB / 64dB

## AM TUNER SECTION

### MW

Tuning range

Area	Channel space	
	9kHz	10kHz
Continental Europe, U.K.	522kHz~1629kHz	—
Italy	522kHz~1629kHz	—
Australia	522kHz~1629kHz	—
Other Area	531kHz~1602kHz	530kHz~1600kHz

### LW

Tuning range

Area	Channel Space (1kHz)
Continental Europe, U.K.	144kHz~353kHz
Italy	144kHz~290kHz
Australia	—
Other Area	—

## GENERAL

Dimensions : 10-7/8" × 2-11/16" × 10-7/8" inches  
 (W×H×D) (275 × 68 × 275 mm)  
 Weight : 3.6 lbs. (1.6 kg)

*Design and specifications subject to change without notice.*

# Description of Major LSIs

## ■ H614089SC91(IC201) : System Controller

### 1. Terminal Layout

G5	1	64	G6
G4	2	63	G7
G3	3	62	G8
G2	4	61	G9
G1	5	60	G10
S1	6	59	G11
S2	7	58	G12
S3	8	57	G13
S4	9	55	DCS IN
S5	10	54	DCS OUT
S6	11	53	GND
S7	12	52	OSC2
S8	13	51	OSC1
S9	14	50	TEST
S10	15	49	RST IN
S11	16	48	KIN1
S12	17	47	KIN2
	18	46	KIN3
-BP	19	45	KIN4
	20	44	KO1
KO9	21	43	KO2
FREQ. OUT	22	42	KO3
RM IN	23	41	KO4
	24	40	
STEREO IN	25	39	
TUNED IN	26	38	
INH IN	27	37	KO8
	28	36	CE
MUTE	29	35	DATA OUT
MONO	30	34	DATA IN
	31	33	CLK
VCC	32		

### 2. Key Matrix

	KEY OUT 1 (pin44)	KEY OUT2 (pin43)	KEY OUT3 (pin42)	KEY OUT4 (pin41)
KEY IN 1 (pin48)	TP203 (POWER)	WAKE-UP / SLEEP	UP	FM
KEY IN 2 (pin47)	TIMER1	CLOCK ADJ	DOWN	AM
KEY IN 3 (pin46)	TIMER2	CANCEL	PRESET UP	FM MODE/MUTE
KEY IN 4 (pin45)	DAILY	MEMORY	PRESET DOWN	-

### 3. Pin Functions

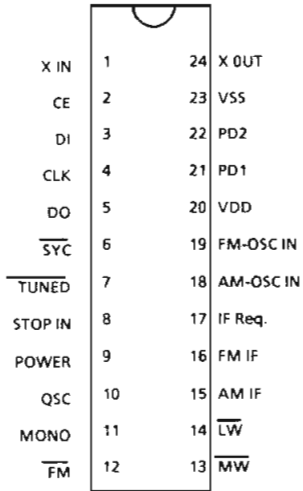
Pin NO.	symbol	I/O	Function	Pin NO.	symbol	I/O	Function
1	G5	O	FL grid control output	33	CLK	O	Clock output for data transmit
2	G4	O	∕	34	DAATA IN	I	Data input
3	G3	O	∕	35	DATA OUT	O	Data output
4	G2	O	∕	36	CE	O	Chip enable
5	G1	O	∕	37	KO8	O	Version setting signal
6	S1	O	FL segment control output	38	—	--	Non connection
7	S2	O	∕	39	—	--	∕
8	S3	O	∕	40	—	--	∕
9	S4	O	∕	41	KO4	O	Key matrix output
10	S5	O	∕	42	KO3	O	∕
11	S6	O	∕	43	KO2	O	∕
12	S7	O	∕	44	KO1	O	∕
13	S8	O	∕	45	KIN4	I	Key matrix input
14	S9	O	∕	46	KIN3	I	∕
15	S10	O	∕	47	KIN2	I	∕
16	S11	O	∕	48	KIN1	I	∕
17	S12	O	∕	49	RST IN	I	Reset signal input
18	—	--	Non connection	50	TEST	--	TEST terminal
19	-BP	I	Power supply for FL Display	51	OSC1	I	Clock oscillation input
20	—	--	Non connection	52	OSC2	O	Clock oscillation output
21	KO9	O	Key matrix output	53	GND	--	Ground
22	FREQ. OUT	O	Clock frequency output	54	DCS OUT	O	Compulink signal output
23	RM IN	I	Remote control signal input	55	DCS IN	I	Compulink signal input
24	—	--	Non connection	56	—	--	Non connection
25	STEREO IN	I	Input for indication of "STEREO"	57	G13	O	FL grid control output
26	TUNED IN	I	Input for indication of "TUNED"	58	G12	O	∕
27	INH IN	I	Inhibit signal input	59	G11	O	∕
28	—	--	Non connection	60	G10	O	∕
29	MUTE	O	Muting signal output	61	G9	O	∕
30	MONO	--	Non connection	62	G8	O	∕
31	—	--	∕	63	G7	O	∕
32	VCC	I	Power supply	64	G6	O	∕

■ LC7218 (IC102) : PLL Synthesizer

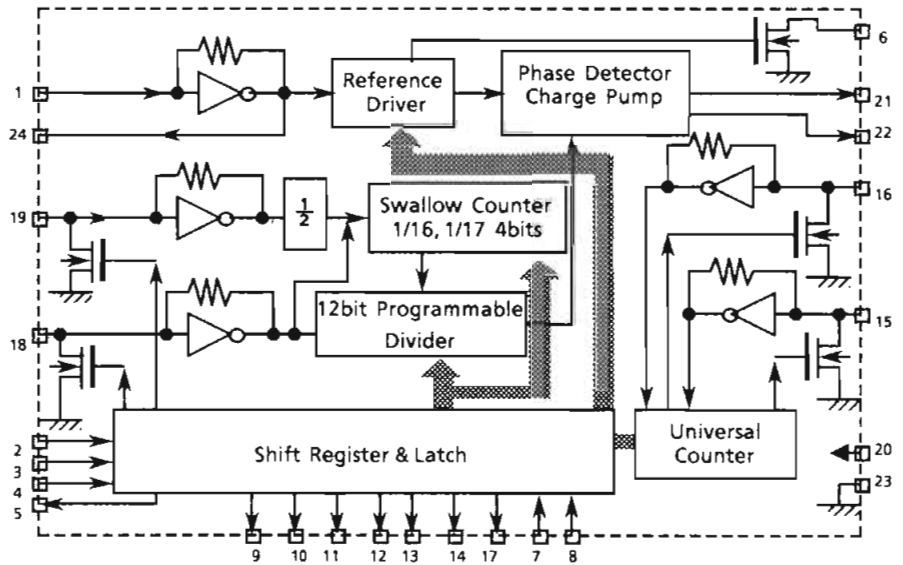
1. The main function descriptions

- (1) It makes the local oscillation frequency by the control data from IC201.
- (2) Decode the control signal and transmit the signal for receiving conditions.
- (3) For the best tuning, count the internal-frequency and transmit the data to IC201.

2. Terminal Layout



3. Block Diagram



4. Pin Functions

Pin No.	Symbol	I/O	Function
1,24	X in , X out	I/O	Crystal oscillator (7.2MHz).
2	CE	I	Fix the chip enable to "H" when inputting (DI) and outputting (DO) the serial data.
3	DI	I	Receive the control data from the controller (IC201).
4	CLK	I	This clock is used to synchronize data when transmitting the data of DI and DO.
5	DO	O	Transmit the data from LC7218 to the controller which is synchronized with CL.
6	SYC	--	Not used.
7	TUNED	I	Receive the tuned signal from IC104 (LA1266A).
8	STOP IN	I	Not used.
9	POWER	O	Not used.
10	QSC	O	ON mode with "H" and OFF mode with "L". (NOT USED)
11	MONO	O	It is "H" on FM-monaural, "L" on FM-Stereo.
12	FM	O	It is "H" on FM mode.
13	MW	O	It is "H" on MW mode.
14	LW	O	It is "H" on LW mode.
15	AM-IF	I	Universal counter input for AM-IF from IC104 (LA1266A).
16	FM-IF	I	Universal counter input for FM-IF from IC104(LA1266A).
17	IF Req.	O	Output the "IF-signal request" to IC104 when the pin-7 (TUNED) go to "H".
18	AM OSC IN	I	Input the local oscillator signal of AM.
19	FM OSC IN	I	Input the local oscillator signal of FM.
20	VDD	--	This is a terminal of power supply.
21	PD1	O	PLL charge pump output: When the local oscillator signal frequency is higher than the reference frequency high level signals will output. When it is lower than the reference frequency, low level signals will output. When it is same as reference frequency signals, it will be floating.
22	PD2	O	Not used.
23	VSS	--	Power supply.

■ LA1266A (IC104) : FM AM IF AMP & detector

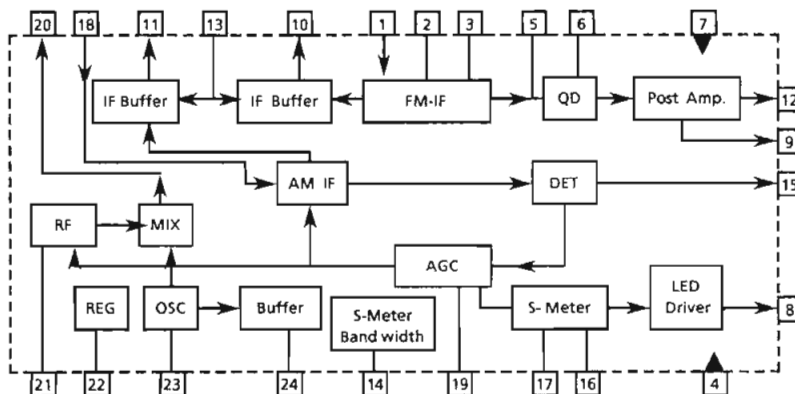
1. The main function descriptions

- (1) Amplify and detect of FM IF frequencies.
- (2) It has local oscillator and mixer for AM, and amplify the AM-IF signal.

2. Terminal Layout

FM-IF	1	24	AM-OSC OUT
BYPASS	2	23	AM-OSC
BYPASS	3	22	V.REF
GND	4	21	AM-IN
FM-DET	5	20	AM-MIX
FM-DET	6	19	AM-AGC
V <sub>CC</sub>	7	18	AM-IF
SIG	8	17	FM ADJ.
FM-AFC	9	16	FM ADJ.
FM-IF	10	15	AM OUT
AM-IF	11	14	NAR SM
FM-OUT	12	13	STRQ

3. Block Diagram



4. Pin Functions

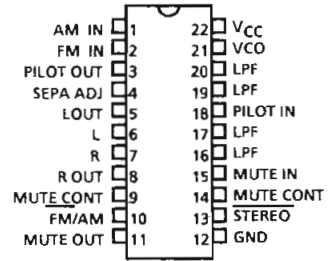
Pin No.	Symbol	I/O	Function
1	FM IF	I	This is an input terminal of FM IF Signal.
2,3	BYPASS	--	Bypass of FM IF Amp.
4	GND	--	This is the device ground terminal.
5,6	FM DET	--	FM detect transformer.
7	V <sub>CC</sub>	--	This is the power supply terminal.
8	TUNED	O	When the set is tuning ,this terminal become "L".
9	FM AFC	O	This is an output terminal of voltage for FM -AFC.
10	FM IF OUT	O	When the signal of IF REQ of IC102(LC7218) applied to pin17, the signal of FM IF does output.
11	AM IF OUT	O	When the signal of IF REQ of IC102(LC7218) applied to pin17, the signal of AM IF does output.
12	FM OUT	O	FM detection output.
13	STRQ	I	The IF-signals come out from pin10 (FM-IF) or pin11 (AM-IF) while this terminal going to "High".
14	NAR SM	--	Control the Band-width of signal meter.
15	AM OUT	O	AM detection output.
16	FM ADJ	--	For adjust the stop level (or mute level) of FM.
17	AM ADJ	--	For adjust the stop level (or mute level) of AM.
18	AM-IF	I	Input of AM IF Signal.
19	AM-AGC	I	This is an AGC voltage Input terminal for AM.
20	AM-MIX	O	This is an output terminal for AM mixer.
21	AM-IN	I	This is an input terminal for AM RF Signal.
22	V.REF	--	Register value between pin9 and pin22 desides the frequency width of the input signal.
23	AM-OSC	--	This is a terminal of AM Local oscillation circuit.
24	AM-OSC OUT	O	AM Local Oscillation Signal output.

■ LA3401 (IC105) : FM MPX Decoder

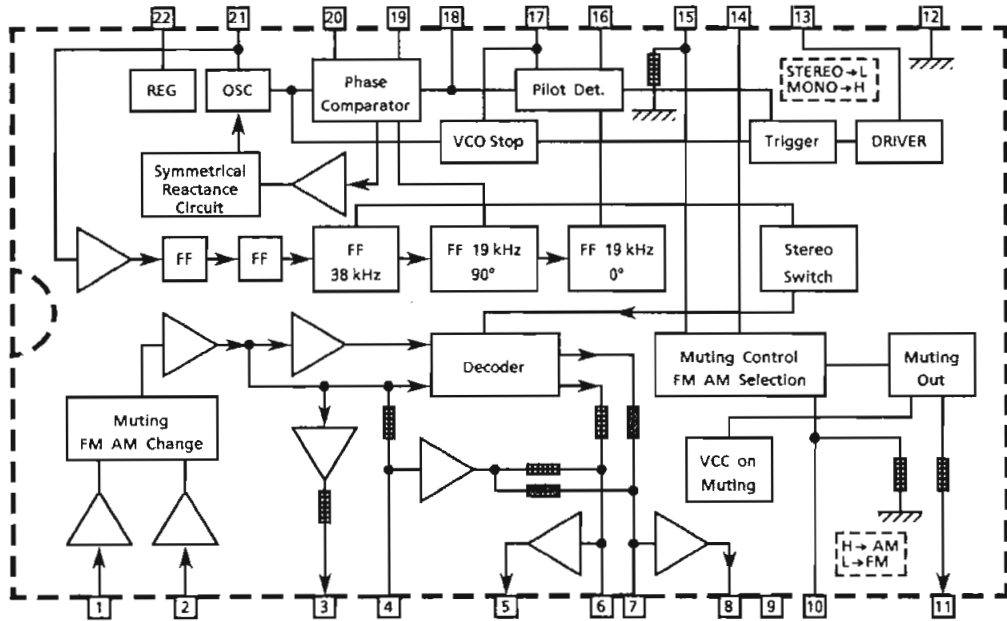
1. The main function descriptions

- (1) Decord the FM Multiplex Signal (Stereo signal).
- (2) When receiving FM Stereo Signal, it outputs the signal for indicator.
- (3) AM/FM Audio Amplifier.

2. Terminal Layout



3. Block Diagram



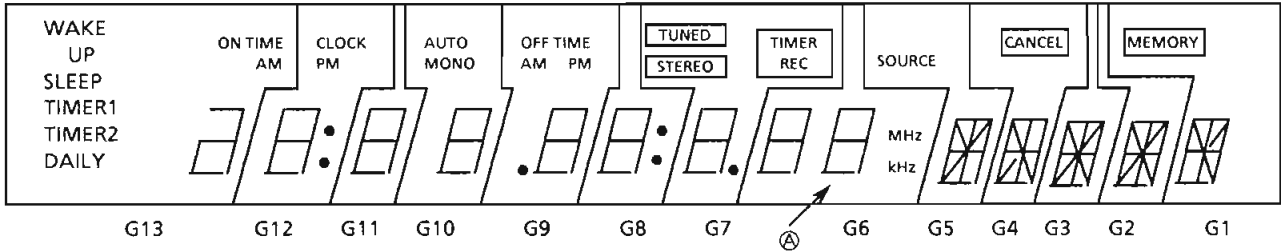
4. Pin Functions

Pin No.	Symbol	I/O	Function
1	AM IN	I	This is an input terminal for AM detection signal.
2	FM IN	I	This is an input terminal for FM detection signal.
3	PILOT OUT	O	Output of MPX pilot signal (Connect to Pin18).
4	SEPA. ADJ.	-	Separation adjustment.
5	L. OUT	O	Left channel signal output.
6	L	O	Input terminal of the Left channel Post AMP.
7	R	O	Input terminal of the right channel Post AMP.
8	R OUT	O	Right channel signal output
9	MUTE CONT	--	The mute time is controlled by the connected capacitor when turning the power switch on.
10	FM / AM	I	Change over the FM / AM input. "H" : AM, "L" : FM
11	MUTE OUT	--	Not use
12	GND	-	Ground terminal.
13	STEREO	O	Stereo indicator output. Stereo : "L", Mono : "H"
14	MUTE CONT	-	The mute time is controlled by the connected capacitor when changing over the FM / AM .
15	MUTE IN	I	Mute signal input. "H" : Mute on, "L" : Mute off.
16	LPF	-	Low pass filter of pilot detector.
17	LPF	-	While this terminal goes to "H", the VCO stop.
18	PILOT IN	I	PLL input.
19	LPF	-	Low-pass filter of PLL.
20	LPF	-	Low-pass filter of PLL.
21	VCO	I	Voltage controlled oscillator terminal.
22	V <sub>CC</sub>	-	Power supply.

# Internal Connections for the FL Display Tube

## ■ ELU0001-101 : ( FL201 )

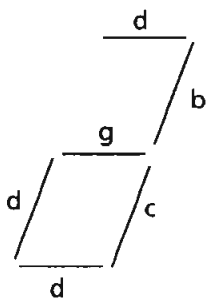
### 1. Grid Assignment



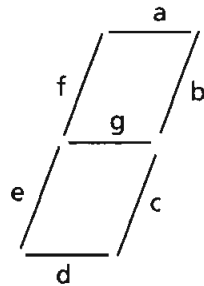
### 2 . Pin Connections

PIN NO.	1	2	3	4	5	6	7	8	9	10	11	12	13	14	15	16	17	18	19	20	21	22	23
CONNECTION	FL1	FL1	NP	NC	G13	S1	S2	G13	S3	S4	G12	G12	S5	G11	S6	G10	S7	G9	G9	S8	S9	G8	S10
PIN NO.	24	25	26	27	28	29	30	31	32	33	34	35	36	37	38	39	40	41	42	43	44	45	46
CONNECTION	G7	S11	G6	S12	NC	NC	NC	G6	NC	G5	NC	G4	G4	NC	G3	NC	G2	NC	G1	NC	NP	F2	F2

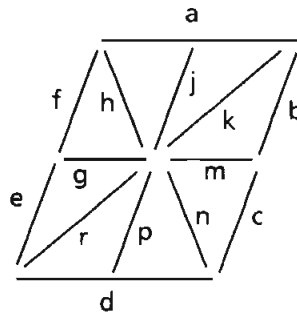
[ Note ] F : Filament S : Segment G : Grid NP : No Pin NC : Non Connection



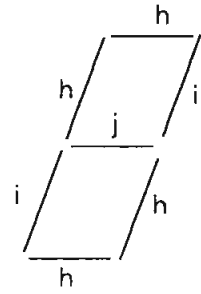
G13



G6 ~ G12



G1 ~ G5



Ⓐ

### 3. Anode Connections

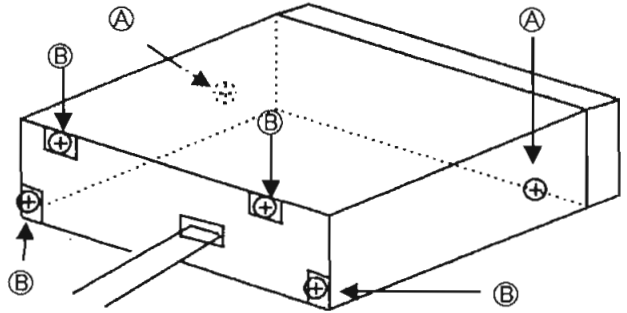
	G13	G12	G11	G10	G9	G8	G7	G6	G5	G4	G3	G2	G1
S1	d	d	d	d	d	d	d	d	d	d	d	d	d
S2	—	e	e	e	e	e	e	e	e	e	e	e	e
S3	c	c	c	c	c	c	c	c	c	c	c	c	c
S4	g	—	—	—	—	—	—	kHz	r	r	r	r	m
S5	b	●	—	—	●	●	●	MHz	k	n	n	n	n
S6	DAILY	—	—	—	AM	—	STEREO	i	j,p	j,p	j,p	j,p	j,p
S7	TIMER2	g	g	g	g	g	g	g	g,m	g,m	g,m	g,m	g
S8	TIMER1	f	f	f	f	f	f	f	f	f	f	f	f
S9	SLEEP	b	b	b	b	b	b	b	b	b	b	b	b
S10	WAKE UP	a	a	a	a	a	a	a	a	a	a	a	a
S11	AM	PM	—	MONO	PM	—	TUNED	j	h	h	h	h	h,k
S12	ON TIME	CLOCK	—	AUTO	OFFTIME	—	TIMER REC	h	SOURCE	CANCEL	k	k	MEMORY



# Disassembly Procedures

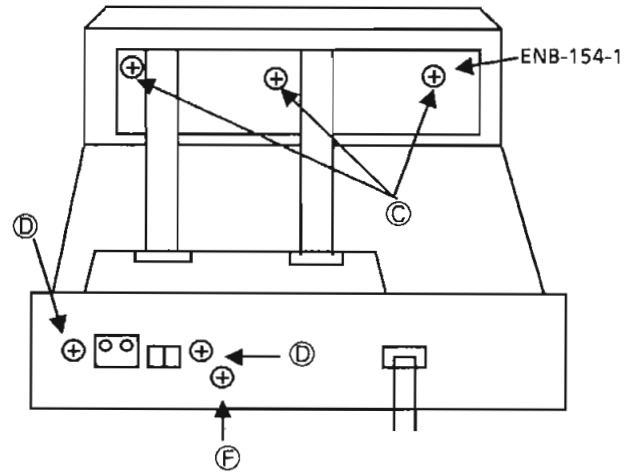
## ■ Removing the Top Cover

1. Remove the 4 screws ⑥ fastening the rear side of the Top cover, and 2 screws ⑤ fastening both sides.
2. Remove the Top Cover.



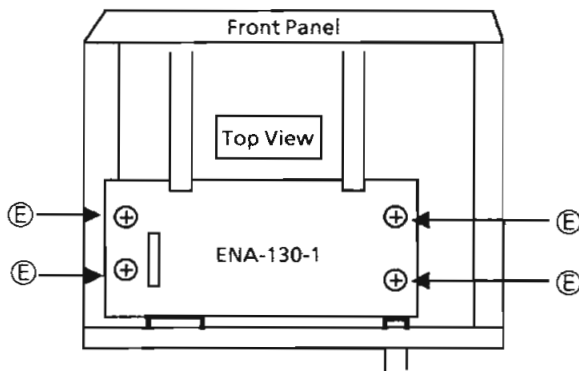
## ■ Removing the Front P.C.Board.

1. Remove the Top Cover.
2. Remove 3 screws ③ fastening the P.C.Board, and remove it.

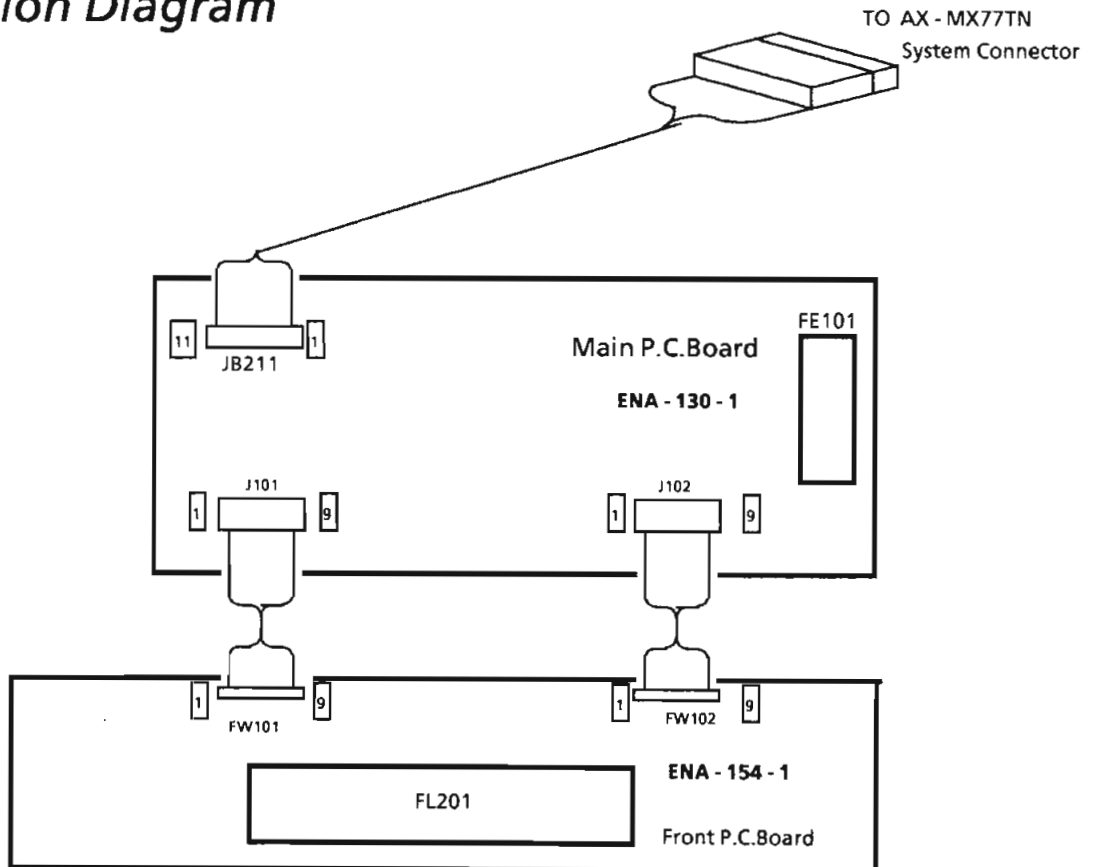


## ■ Removing the Main P.C. Board

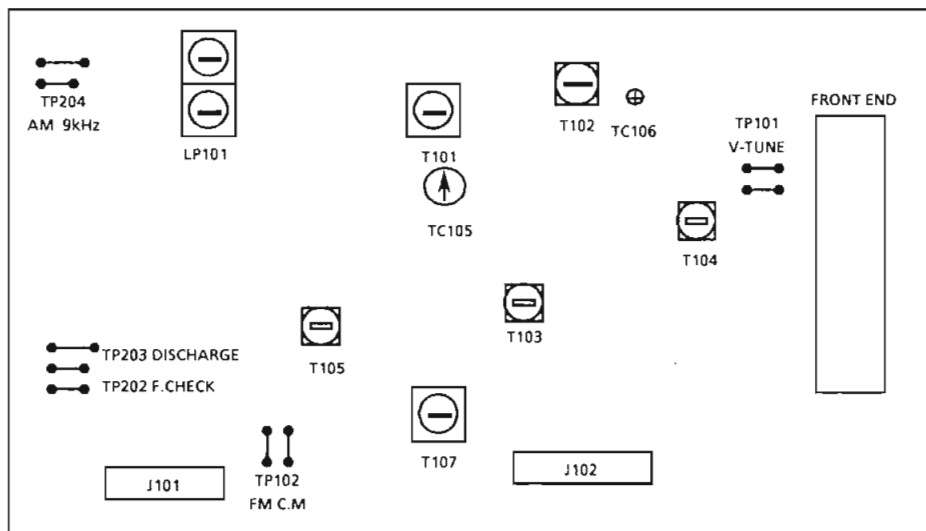
1. Remove the Top Cover.
2. Remove the 4 screws ④ fastening the P.C. Board.
3. Remove the screws ④ ⑥ and remove the P.C.Board.



# Connection Diagram



# FM/AM Tuner Alignment Procedures



## ■ DISCHARGE

When discharging the backup, shortcircuit the two terminals of TP203.

### 1. FM section

#### ■ FM oscillator

- (1) Set the frequency display to "108.0MHz".
- (2) Confirm that the FM inter-station noise is received.
- (3) Confirm that the voltage of test point "TP101" is  $8.0V \pm 2.0V$ .
- (4) Set the frequency display to "87.5MHz" and confirm the voltage of test point "TP101" is  $1.6V \pm 1.0V$ .

#### ■ FM detector coil : T105

- (1) Connect a digital voltmeter to test point "TP102", and receive to "100.1MHz" signal with SSG at 70dB.
- (2) Adjust T105 so that the digital voltmeter reads  $0 \pm 1.5mV$ .

### 3. LW section ( Adjust the L.W section before adjusting the M.W section. )

Note : [ ] for Italy

#### ■ LW oscillator : T104

- (1) Set the frequency display to 144kHz and adjust T104 so that the voltage of TP101 becomes  $0.8V \pm 0.1V$  [  $0.8V \pm 0.1V$  ].
- (2) Set the frequency display to 353kHz [ 290kHz ] and confirm that the voltage of test point TP101 becomes  $8.0V \pm 0.9V$  [  $5.7V \pm 0.6V$  ].

#### ■ LW antenna coil : T102

- (1) Connect a loop antenna to the "AM Loop" terminal on the rear panel.
- (2) Adjust T102 to obtain the best receiving sensitivity on 164kHz [ 164kHz ].

#### ■ LW antenna trimmer : TC106

- (1) Adjust TC106 to obtain the best receiving sensitivity on 353kHz [ 245kHz ].

※ Alternately adjust T102 and TC106 so that each sensitivity becomes maximum.

### 3. MW section

Note ( ): Australia , the U.K. and Continental Europe  
 { }: Channel space 9kHz for universal version  
 [ ] : Channel space 10kHz for universalversion

#### ■ MW oscillator : T103

- (1) Set the frequency display to { 522kHz } [ 531kHz ] [ 530kHz ] and confirm that the voltage of test point TP101 is  $(0.9V \pm 0.2V)$  {  $1.0V \pm 0.2V$  } [  $1.0V \pm 0.2V$  ].
- (2) Set the frequency display to ( 1629kHz ) { 1602kHz } [ 1600kHz ] and confirm that the voltage of test point TP101 is  $(7.5V \pm 0.8V)$  {  $7.2V \pm 0.7V$  } [  $7.2V \pm 0.7V$  ].
- (3) If its voltage exceeds the allowance , adjust T103 to obtain the voltage .

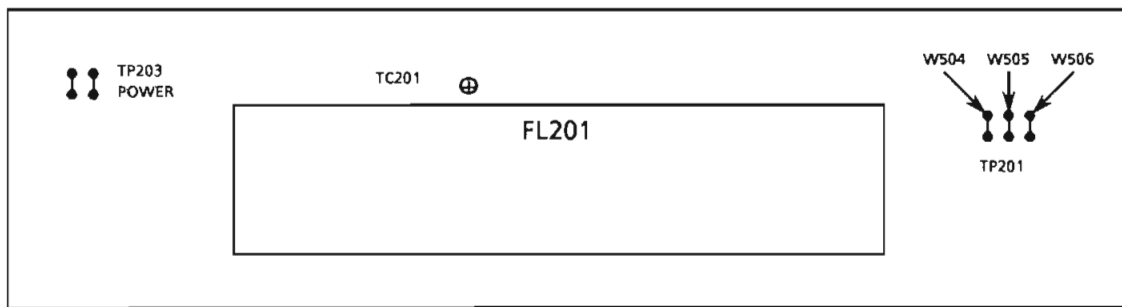
#### ■ MW antenna coil : T101

- (1) Connect a loop antenna to the "AM Loop" terminal on the rear panel.
- (2) Adjust T101 to obtain the best receiving sensitivity on 600kHz or 603kHz .

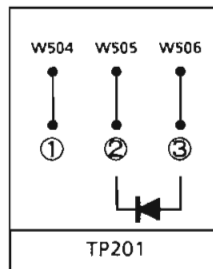
#### ■ MW antenna trimmer : TC105

- (1) Adjust TC105 to obtain the best receiving sensitivity on 1400kHz or 1404kHz .

## Clock Generator Frequency Adjustment



1. Switch OFF the AX-MX77TN's power source, then pull out the AC plug.
2. Shortcircuit TP201's terminals ② and ③ with the diode as shown in the accompanying diagram, then insert the AC plug into the receptacle to switch the power ON.
3. Confirm that the tuner's FL display is off, then remove the diode and connect the frequency counter to TP 202(FREQ. CHECK).
4. Adjust TC201 so that the counter becomes  $34,952.5 \pm 0.15$  Hz .



Example :  
 1S5133  
 1S5119  
 1S2473

**JVC**

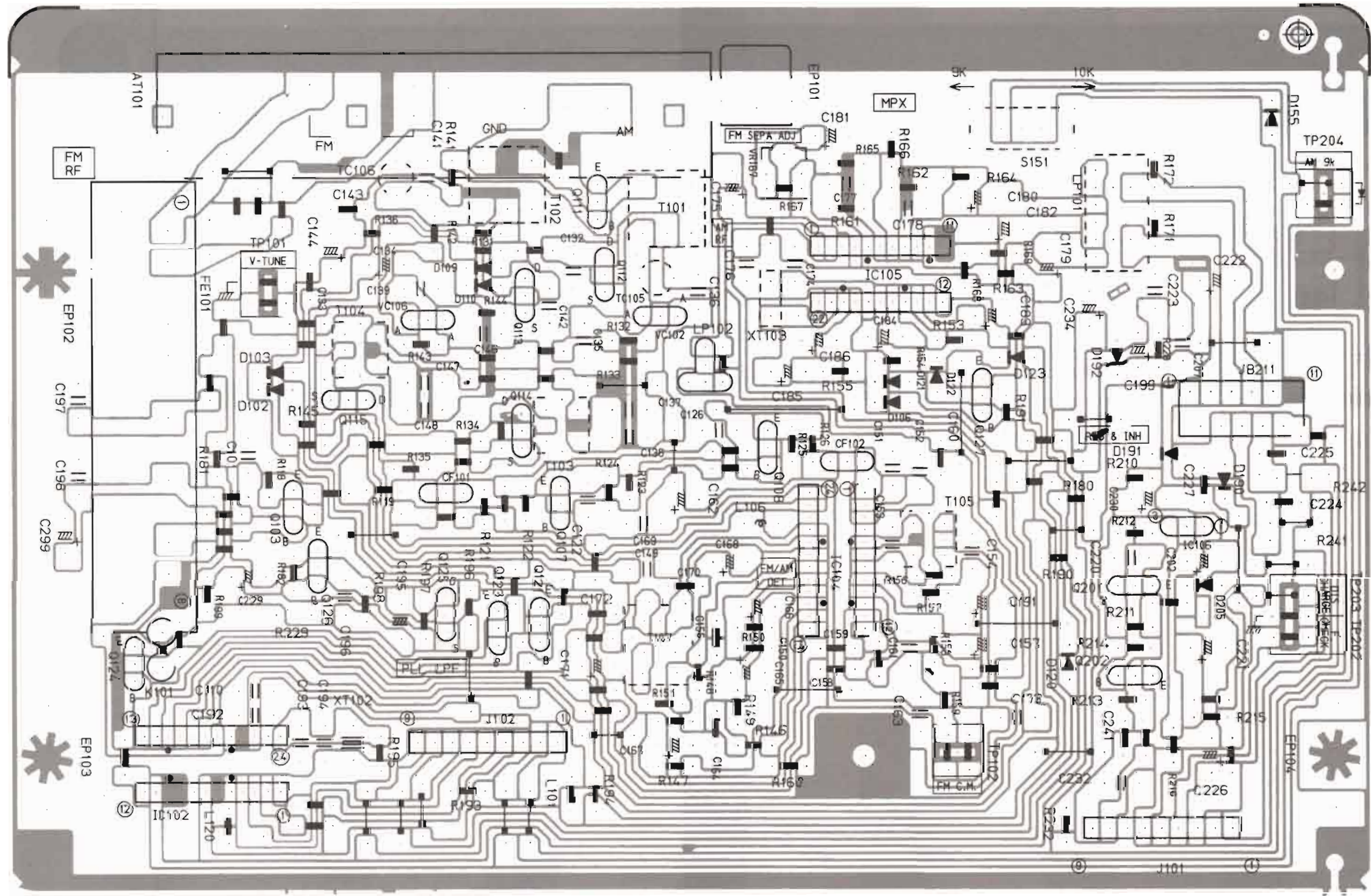
VICTOR COMPANY OF JAPAN, LIMITED  
AUDIO PRODUCTS DIVISION, YAMATO PLANT, 1644, SHIMOTSURUMA, YAMATO-SHI, KANAGAWA-KEN, 242, JAPAN





# Printed Circuit Boards

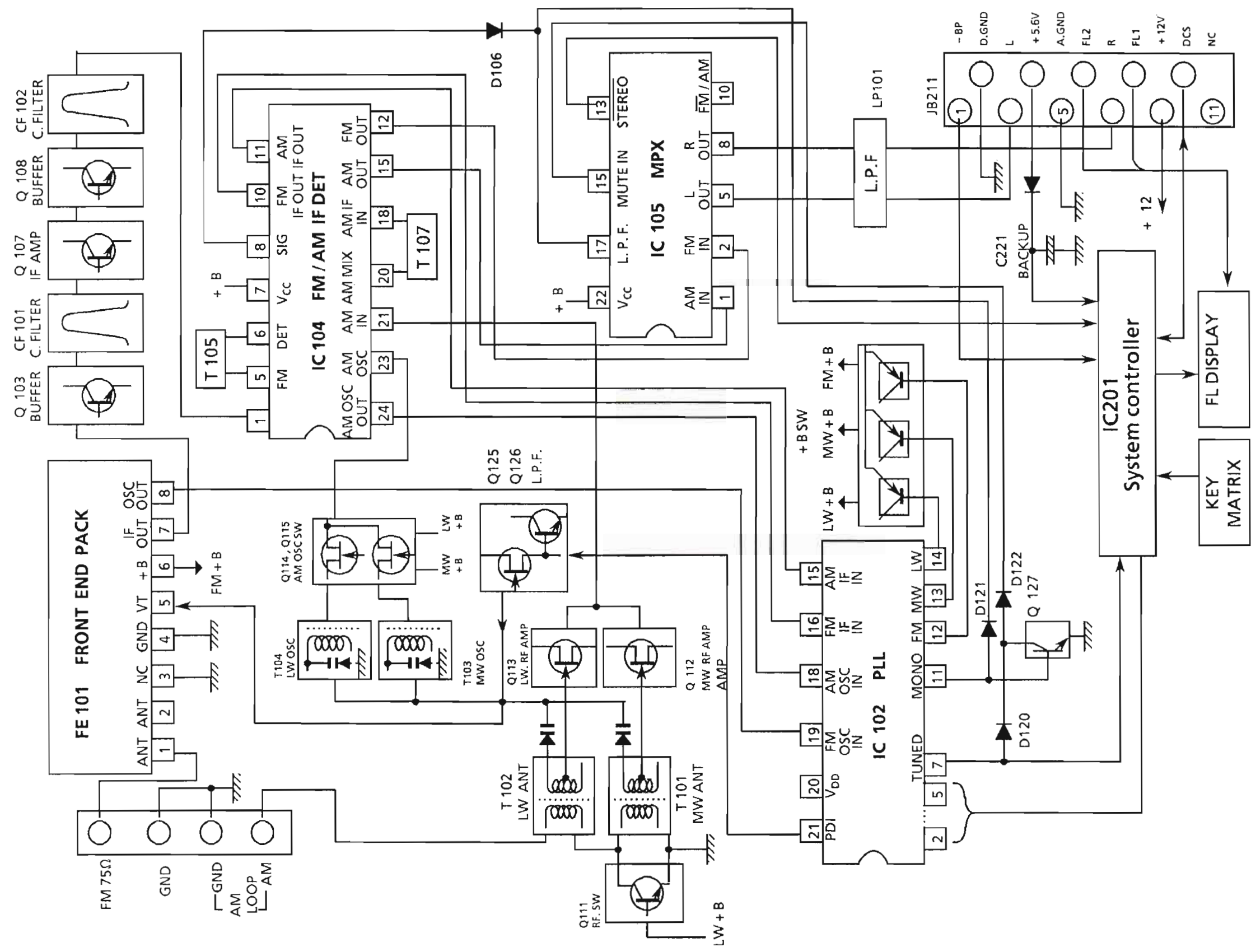
■ Tuner P.C.B. (ENA-130)







# Block Diagram

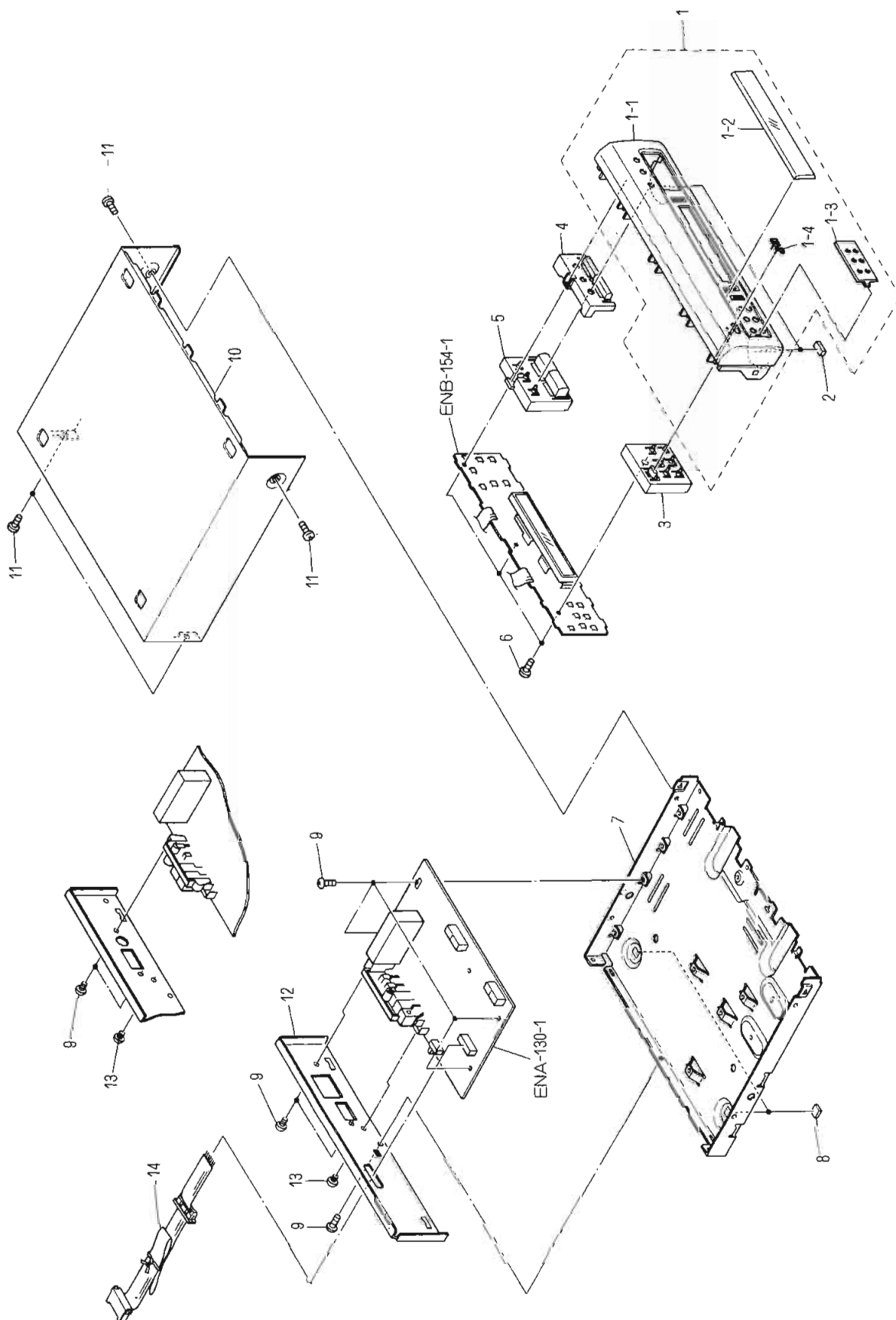


# PARTS LIST

## Contents

General Exploded View and Parts List .....	2-2
Printed Circuit Board Ass'y and Parts List .....	2-4
■ ENA-130 □ Tuner PC Board Ass'y .....	2-4
■ ENB-154 □ Front PC Board Ass'y .....	2-7
Packing Materials and Part Numbers .....	2-9

# General Exploded View and Parts List



■ Parts List

△	Item	Part Number	Part Name	Q'ty	Description	Areas
	1	EFP-FXMX77TNU(S) EFP-FXMX77ENE(S)	Front Panel Ass'y Front Panel Ass'y	1 1		U, A EN, EF, G, GI, BS
	1-1	E102468-004	Front Panel	1		U, A
	1-2	E102468-005 E307608-002	Front Panel Window Screen	1 1		EN, EF, G, GI, BS
	1-3	E307610-002	Ornament	1		
	1-4	E406971-001	JVC Mark	1		
	2	E406855-003	Spacer	2		
	3	E307613-001	Push Button	1	Timer	
	4	E307604-004	Push Button	1	Tuning	
	5	E307614-001	Push Button	1	Preset	
	6	SDSF2610Z	Screw	3		
	7	E102462-001	Chassis Base	1		
	8	E406855-005	Spacer	2		
	9	SBSG3008CC	Screw	7		
	10	E207171-003	Metal Cover	1		
	11	SDSG3008M	Screw	6		
	12	E207172-003	Rear Panel	1		U
		E207172-004	Rear Panel	1		A
		E207172-005	Rear Panel	1		EN, EF, G, GI, BS
	13	SBST3006CC	Screw	1		
	14	EWP907-001	Flat Wire	1		
	—	E61029-009	Number Label	1		

△: Safety Parts

**The Marks Designated Areas**

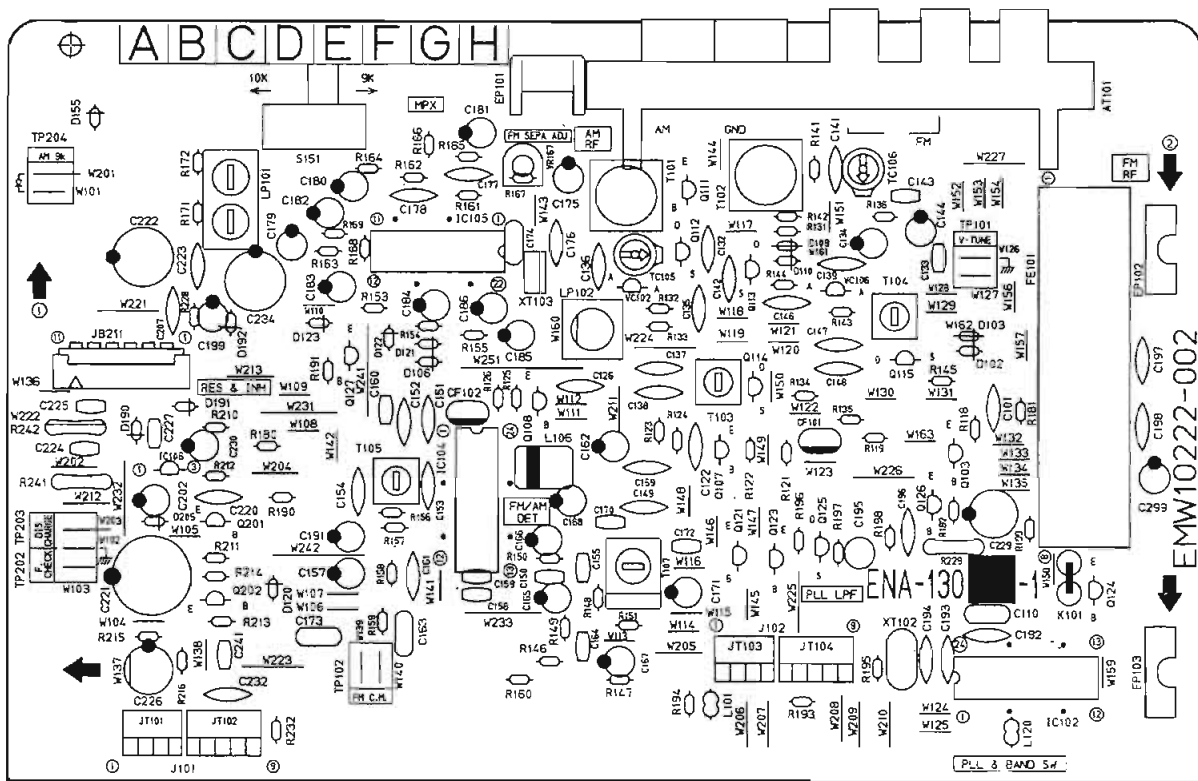
A.....Australia  
G.....Germany  
GI.....Italy  
EN.....Scandinavia

EF.....Continental Europe  
U.....Universal Type  
BS.....the U.K.  
No mark indicates all areas.

# Printed Circuit Board Ass'y and Parts List

■ ENA-130 □ Tuner PC Board Ass'y

Note : ENA-130 □ varies according to the areas employed. See note (1) when placing an order.



## Note(1)

PC Board Ass'y	Designated Areas
ENA-130 [B]	Universal Type
ENA-130 [C]	Australia
ENA-130 [D]	Continental Europe , Scandinavia
ENA-130 [E]	Germany
ENA-130 [F]	the U.K.
ENA-130 [G]	Italy

## Transistors

ITEM	PART NUMBER	DESCRIPTION	AREA
Q121	DTA144ES	SILICON ROHM	D
Q121	DTA144ES	SILICON ROHM	E
Q121	DTA144ES	SILICON ROHM	F
Q121	DTA144ES	SILICON ROHM	G
Q123	DTA144ES	SILICON ROHM	
Q124	DTA144ES	SILICON ROHM	
Q125	2SK301(Q,R)	F.E.T MATSUSHITA	
Q126	2SC458(D)	SILICON HITACHI	
Q127	DTC144ES	SILICON ROHM	
Q201	2SC1740S(R,S)	SILICON ROHM	
Q202	DTC114YS	SILICON ROHM	

△ : SAFETY PARTS

## Transistors

ITEM	PART NUMBER	DESCRIPTION	AREA
Q103	2SC461(B,C)	SILICON HITACHI	
Q107	2SC535(B,C)	SILICON HITACHI	
Q108	2SC461(B,C)	SILICON HITACHI	
Q111	2SD2144S(VW)	SILICON ROHM	D
Q111	2SD2144S(VW)	SILICON ROHM	E
Q111	2SD2144S(VW)	SILICON ROHM	F
Q111	2SD2144S(VW)	SILICON ROHM	G
Q112	2SK301(Q,R)	F.E.T MATSUSHITA	
Q113	2SK301(Q,R)	F.E.T MATSUSHITA	D
Q113	2SK301(Q,R)	F.E.T MATSUSHITA	E
Q113	2SK301(Q,R)	F.E.T MATSUSHITA	F
Q113	2SK301(Q,R)	F.E.T MATSUSHITA	G
Q114	2SK301(P,Q)	F.E.T MATSUSHITA	D
Q114	2SK301(P,Q)	F.E.T MATSUSHITA	E
Q114	2SK301(P,Q)	F.E.T MATSUSHITA	F
Q114	2SK301(P,Q)	F.E.T MATSUSHITA	G
Q115	2SK301(P,Q)	F.E.T MATSUSHITA	D
Q115	2SK301(P,Q)	F.E.T MATSUSHITA	E
Q115	2SK301(P,Q)	F.E.T MATSUSHITA	F
Q115	2SK301(P,Q)	F.E.T MATSUSHITA	G

△ : SAFETY PARTS

## I.C.s

ITEM	PART NUMBER	DESCRIPTION	AREA
IC102	LC7218	I.C. SANYO	
IC104	LA1266A	I.C. SANYO	
IC105	LA3401	I.C. SANYO	
IC106	MN1281(P,Q)	I.C. MATSUSHITA	

△ : SAFETY PARTS

## Diodes

ITEM	PART NUMBER	DESCRIPTION	AREA
D102	1SS133	SILICON ROHM	D
D102	1SS133	SILICON ROHM	E
D102	1SS133	SILICON ROHM	F
D102	1SS133	SILICON ROHM	G
D103	1SS133	SILICON ROHM	D

△ : SAFETY PARTS

Diodes

Δ	ITEM	PART NUMBER	DESCRIPTION	AREA
	D103	1SS133	SILICON ROHM	E
	D103	1SS133	SILICON ROHM	F
	D103	1SS133	SILICON ROHM	G
	D106	1SS133	SILICON ROHM	
	D109	1SS133	SILICON ROHM	D
	D109	1SS133	SILICON ROHM	E
	D109	1SS133	SILICON ROHM	F
	D109	1SS133	SILICON ROHM	G
	D110	1SS133	SILICON ROHM	D
	D110	1SS133	SILICON ROHM	E
	D110	1SS133	SILICON ROHM	F
	D110	1SS133	SILICON ROHM	G
	D120	1SS133	SILICON ROHM	
	D121	1SS133	SILICON ROHM	
	D122	1SS133	SILICON ROHM	
	D123	1SS133	SILICON ROHM	
	D155	1SS133	SILICON ROHM	B
	D190	1SS133	SILICON ROHM	
	D191	1SS133	SILICON ROHM	
	D192	MTZ5.1JC	ZENER ROHM	
	D205	1SS133	SILICON ROHM	
	VC102	SVC342(L)	VARICAP SANYO	
	VC106	SVC342(L)	VARICAP SANYO	D
	VC106	SVC342(L)	VARICAP SANYO	E
	VC106	SVC342(L)	VARICAP SANYO	F
	VC106	SVC342(L)	VARICAP SANYO	G

Δ SAFETY PARTS

Capacitors

Δ	ITEM	PART NUMBER	DESCRIPTION	AREA
	C162	QETB1EM-106	10MF 25V ELECTRO	
	C163	QFN81HJ-102	1000PF 50V MYLAR	
	C164	QCHB1EZ-223	0.022MF 25V CERAMIC	
	C165	QETB1HM-474	0.47MF 50V ELECTRO	
	C166	QETB1HM-225	2.2MF 50V ELECTRO	
	C167	QETB1HM-225	2.2MF 50V ELECTRO	
	C168	QETB1HM-475	4.7MF 50V ELECTRO	
	C169	QCF21HP-223	0.022MF 50V CERAMIC	
	C170	QCHB1EZ-223	0.022MF 25V CERAMIC	
	C171	QETB1EM-106	10MF 25V ELECTRO	
	C172	QCVB1CM-103	0.01MF 16V CERAMIC	
	C173	QFN81HJ-393	0.039MF 50V MYLAR	B
	C173	QFN81HJ-223	0.022MF 50V MYLAR	C
	C173	QFN81HJ-223	0.022MF 50V MYLAR	D
	C173	QFN81HJ-223	0.022MF 50V MYLAR	E
	C173	QFN81HJ-223	0.022MF 50V MYLAR	F
	C173	QFN81HJ-223	0.022MF 50V MYLAR	G
	C174	QFLB1HK-473	0.047MF 50V MYLAR	
	C175	QETB1EM-106	10MF 25V ELECTRO	
	C176	QCY21HK-102	1000PF 50V CERAMIC	
	C177	QCS21HJ-821	820PF 50V CERAMIC	B
	C177	QCS21HJ-391	390PF 50V CERAMIC	C
	C177	QCS21HJ-471	470PF 50V CERAMIC	D
	C177	QCS21HJ-471	470PF 50V CERAMIC	E
	C177	QCS21HJ-561	560PF 50V CERAMIC	F
	C177	QCS21HJ-471	470PF 50V CERAMIC	G
	C178	QCS21HJ-821	820PF 50V CERAMIC	B
	C178	QCS21HJ-391	390PF 50V CERAMIC	C
	C178	QCS21HJ-471	470PF 50V CERAMIC	D
	C178	QCS21HJ-471	470PF 50V CERAMIC	E
	C178	QCS21HJ-561	560PF 50V CERAMIC	F
	C178	QCS21HJ-471	470PF 50V CERAMIC	G
	C179	QETB1HM-225	2.2MF 50V ELECTRO	
	C180	QETB1HM-225	2.2MF 50V ELECTRO	
	C181	QETB1EM-106	10MF 25V ELECTRO	
	C182	QETB1HM-225	2.2MF 50V ELECTRO	
	C183	QETB1HM-105	1MF 50V ELECTRO	
	C184	QETB1HM-105	1MF 50V ELECTRO	
	C185	QETB1HM-225	2.2MF 50V ELECTRO	
	C186	QETB1HM-474	0.47MF 50V ELECTRO	
	C191	QETB1HM-475	4.7MF 50V ELECTRO	
	C192	QCC21EM-473	0.047MF 25V CERAMIC	
	C193	QCS21HJ-180	18PF 50V CERAMIC	
	C194	QCS21HJ-180	18PF 50V CERAMIC	
	C195	QEN51HM-474	0.47MF 50V NON POLE	
	C196	QCY21HK-102	1000PF 50V CERAMIC	
	C197	QCF21HP-223	0.022MF 50V CERAMIC	
	C198	QCF21HP-103	0.01MF 50V CERAMIC	
	C199	QETB1HM-475	4.7MF 50V ELECTRO	
	C202	QETB1HM-225	2.2MF 50V ELECTRO	
	C207	QCF21HP-223	0.022MF 50V CERAMIC	
	C220	QCF21HP-103	0.01MF 50V CERAMIC	
	C221	QEA40HZ-10AB	ELECTRO	
	C222	QETB1CM-477	470MF 16V ELECTRO	
	C223	QCF21HP-103	0.01MF 50V CERAMIC	
	C224	QCVB1HK-102	1000PF 50V CERAMIC	
	C225	QCVB1HK-102	1000PF 50V CERAMIC	
	C226	QETB1AM-227	220MF 10V ELECTRO	
	C227	QCVB1CM-103	0.01MF 16V CERAMIC	
	C229	QETB1CM-227	220MF 16V ELECTRO	
	C230	QETB1EM-476	47MF 25V ELECTRO	
	C232	QCF21HP-223	0.022MF 50V CERAMIC	
	C234	QETB1OJM-477	470MF 6.3V ELECTRO	
	C241	QCVB1CM-103	0.01MF 16V CERAMIC	
	C299	QETB1CM-226	22MF 16V ELECTRO	E
	C299	QETB1CM-226	22MF 16V ELECTRO	G

Δ SAFETY PARTS

Capacitors

Δ	ITEM	PART NUMBER	DESCRIPTION	AREA
	C101	QCF21HP-223	0.022MF 50V CERAMIC	
	C110	QCZ0205-155	1.5MF 25V CERAMIC	
	C122	QCF21HP-223	0.022MF 50V CERAMIC	
	C126	QCF21HP-223	0.022MF 50V CERAMIC	
	C132	QCS21HJ-561	560PF 50V CERAMIC	
	C133	QCHB1EZ-223	0.022MF 25V CERAMIC	
	C134	QETB1EM-106	10MF 25V ELECTRO	
	C135	QCC21EM-223	0.022MF 25V CERAMIC	
	C136	QCT26CH-180	18PF 50V CERAMIC	
	C137	QCT26CH-221	220PF 50V CERAMIC	
	C138	QCT26CH-241	240PF 50V CERAMIC	
	C139	QCC21EM-223	0.022MF 25V CERAMIC	D
	C139	QCC21EM-223	0.022MF 25V CERAMIC	E
	C139	QCC21EM-223	0.022MF 25V CERAMIC	F
	C139	QCC21EM-223	0.022MF 25V CERAMIC	G
	C141	QCS21HJ-270	27PF 50V CERAMIC	D
	C141	QCS21HJ-270	27PF 50V CERAMIC	E
	C141	QCS21HJ-270	27PF 50V CERAMIC	F
	C141	QCS21HJ-270	27PF 50V CERAMIC	G
	C142	QCY21HK-272	2700PF 50V CERAMIC	D
	C142	QCY21HK-272	2700PF 50V CERAMIC	E
	C142	QCY21HK-272	2700PF 50V CERAMIC	F
	C142	QCY21HK-272	2700PF 50V CERAMIC	G
	C143	QCHB1EZ-223	0.022MF 25V CERAMIC	D
	C143	QCHB1EZ-223	0.022MF 25V CERAMIC	E
	C143	QCHB1EZ-223	0.022MF 25V CERAMIC	F
	C143	QCHB1EZ-223	0.022MF 25V CERAMIC	G
	C144	QETB1EM-106	10MF 25V ELECTRO	D
	C144	QETB1EM-106	10MF 25V ELECTRO	E
	C144	QETB1EM-106	10MF 25V ELECTRO	F
	C144	QETB1EM-106	10MF 25V ELECTRO	G
	C146	QCT26CH-680	68PF 50V CERAMIC	D
	C146	QCT26CH-680	68PF 50V CERAMIC	E
	C146	QCT26CH-680	68PF 50V CERAMIC	F
	C146	QCT26CH-680	68PF 50V CERAMIC	G
	C147	QCT26CH-220	22PF 50V CERAMIC	D
	C147	QCT26CH-220	22PF 50V CERAMIC	E
	C147	QCT26CH-220	22PF 50V CERAMIC	F
	C147	QCT26CH-220	22PF 50V CERAMIC	G
	C148	QCT26CH-121	120PF 50V CERAMIC	D
	C148	QCT26CH-121	120PF 50V CERAMIC	E
	C148	QCT26CH-121	120PF 50V CERAMIC	F
	C148	QCT26CH-121	120PF 50V CERAMIC	G
	C149	QCF21HP-223	0.022MF 50V CERAMIC	
	C150	QCHB1EZ-223	0.022MF 25V CERAMIC	
	C151	QCF21HP-223	0.022MF 50V CERAMIC	
	C152	QCF21HP-223	0.022MF 50V CERAMIC	
	C153	QCC21EM-223	0.022MF 25V CERAMIC	
	C154	QCF21HP-223	0.022MF 50V CERAMIC	
	C155	QCHB1EZ-223	0.022MF 25V CERAMIC	
	C157	QETB1HM-474	0.47MF 50V ELECTRO	
	C158	QCVB1HK-101	100PF 50V CERAMIC	
	C159	QCVB1HK-101	100PF 50V CERAMIC	
	C160	QCVB1HK-221	220PF 50V CERAMIC	
	C161	QCF21HP-223	0.022MF 50V CERAMIC	

Δ SAFETY PARTS

Resistors

Δ	ITEM	PART NUMBER	DESCRIPTION	AREA
	R118	QRD167J-332	3.3K 1/6W CARBON	
	R119	QRD167J-221	220 1/6W CARBON	
	R121	QRD167J-391	390 1/6W CARBON	
	R122	QRD167J-272	2.7K 1/6W CARBON	
	R123	QRD167J-102	1K 1/6W CARBON	
	R124	QRD167J-681	680 1/6W CARBON	
	R125	QRD167J-332	3.3K 1/6W CARBON	
	R126	QRD167J-221	220 1/6W CARBON	
	R131	QRD167J-331	330 1/6W CARBON	
	R132	QRD167J-103	10K 1/6W CARBON	
	R133	QRD167J-473	47K 1/6W CARBON	
	R134	QRD167J-103	10K 1/6W CARBON	D
	R134	QRD167J-103	10K 1/6W CARBON	E
	R134	QRD167J-103	10K 1/6W CARBON	F
	R134	QRD167J-103	10K 1/6W CARBON	G

Δ SAFETY PARTS

Resistors

Δ	ITEM	PART NUMBER	DESCRIPTION		AREA
	R135	QRD167J-470	47	1/6W CARBON	
	R136	QRD167J-103	10K	1/6W CARBON	
	R141	QRD167J-472	4.7K	1/6W CARBON	D
	R141	QRD167J-472	4.7K	1/6W CARBON	E
	R141	QRD167J-472	4.7K	1/6W CARBON	F
	R141	QRD167J-472	4.7K	1/6W CARBON	G
	R142	QRD167J-331	330	1/6W CARBON	D
	R142	QRD167J-331	330	1/6W CARBON	E
	R142	QRD167J-331	330	1/6W CARBON	F
	R142	QRD167J-331	330	1/6W CARBON	G
	R143	QRD167J-103	10K	1/6W CARBON	D
	R143	QRD167J-103	10K	1/6W CARBON	E
	R143	QRD167J-103	10K	1/6W CARBON	F
	R143	QRD167J-103	10K	1/6W CARBON	G
	R144	QRD167J-473	47K	1/6W CARBON	D
	R144	QRD167J-473	47K	1/6W CARBON	E
	R144	QRD167J-473	47K	1/6W CARBON	F
	R144	QRD167J-473	47K	1/6W CARBON	G
	R145	QRD167J-103	10K	1/6W CARBON	D
	R145	QRD167J-103	10K	1/6W CARBON	E
	R145	QRD167J-103	10K	1/6W CARBON	F
	R145	QRD167J-103	10K	1/6W CARBON	G
	R146	QRD167J-560	56	1/6W CARBON	
	R147	QRD167J-103	10K	1/6W CARBON	
	R148	QRD167J-103	10K	1/6W CARBON	
	R149	QRD167J-223	22K	1/6W CARBON	
	R150	QRD167J-103	10K	1/6W CARBON	
	R151	QRD167J-222	2.2K	1/6W CARBON	
	R153	QRD167J-103	10K	1/6W CARBON	
	R154	QRD167J-103	10K	1/6W CARBON	
	R155	QRD167J-562	5.6K	1/6W CARBON	
	R156	QRD167J-822	8.2K	1/6W CARBON	
	R157	QRD167J-103	10K	1/6W CARBON	
	R158	QRD167J-273	27K	1/6W CARBON	
	R159	QRD167J-561	560	1/6W CARBON	
	R160	QRD167J-562	5.6K	1/6W CARBON	B
	R160	QRD167J-183	18K	1/6W CARBON	C
	R160	QRD167J-183	18K	1/6W CARBON	D
	R160	QRD167J-183	18K	1/6W CARBON	E
	R160	QRD167J-822	8.2K	1/6W CARBON	F
	R160	QRD167J-183	18K	1/6W CARBON	G
	R161	QRD167J-823	82K	1/6W CARBON	B
	R161	QRD167J-124	120K	1/6W CARBON	C
	R161	QRD167J-124	120K	1/6W CARBON	D
	R161	QRD167J-124	120K	1/6W CARBON	E
	R161	QRD167J-823	82K	1/6W CARBON	F
	R161	QRD167J-124	120K	1/6W CARBON	G
	R162	QRD167J-823	82K	1/6W CARBON	B
	R162	QRD167J-124	120K	1/6W CARBON	C
	R162	QRD167J-124	120K	1/6W CARBON	D
	R162	QRD167J-124	120K	1/6W CARBON	E
	R162	QRD167J-823	82K	1/6W CARBON	F
	R162	QRD167J-124	120K	1/6W CARBON	G
	R162	QRD167J-823	82K	1/6W CARBON	B
	R162	QRD167J-124	120K	1/6W CARBON	C
	R163	QRD167J-472	4.7K	1/6W CARBON	D
	R163	QRD167J-332	3.3K	1/6W CARBON	E
	R163	QRD167J-332	3.3K	1/6W CARBON	F
	R163	QRD167J-332	3.3K	1/6W CARBON	G
	R163	QRD167J-332	3.3K	1/6W CARBON	B
	R163	QRD167J-332	3.3K	1/6W CARBON	C
	R163	QRD167J-332	3.3K	1/6W CARBON	D
	R163	QRD167J-332	3.3K	1/6W CARBON	E
	R163	QRD167J-332	3.3K	1/6W CARBON	F
	R163	QRD167J-332	3.3K	1/6W CARBON	G
	R164	QRD167J-472	4.7K	1/6W CARBON	B
	R164	QRD167J-332	3.3K	1/6W CARBON	C
	R164	QRD167J-332	3.3K	1/6W CARBON	D
	R164	QRD167J-332	3.3K	1/6W CARBON	E
	R164	QRD167J-332	3.3K	1/6W CARBON	F
	R164	QRD167J-332	3.3K	1/6W CARBON	G
	R165	QRD167J-184	180K	1/6W CARBON	B
	R165	QRD167J-274	270K	1/6W CARBON	C
	R165	QRD167J-274	270K	1/6W CARBON	D
	R165	QRD167J-274	270K	1/6W CARBON	E
	R165	QRD167J-274	270K	1/6W CARBON	F
	R165	QRD167J-274	270K	1/6W CARBON	G
	R166	QRD167J-184	180K	1/6W CARBON	B
	R166	QRD167J-274	270K	1/6W CARBON	C
	R166	QRD167J-274	270K	1/6W CARBON	D
	R166	QRD167J-274	270K	1/6W CARBON	E
	R166	QRD167J-274	270K	1/6W CARBON	F
	R166	QRD167J-274	270K	1/6W CARBON	G
	R167	QRD167J-393	39K	1/6W CARBON	B
	R167	QRD167J-393	39K	1/6W CARBON	C
	R167	QRD167J-473	47K	1/6W CARBON	D
	R167	QRD167J-473	47K	1/6W CARBON	E
	R167	QRD167J-473	47K	1/6W CARBON	F
	R167	QRD167J-473	47K	1/6W CARBON	G
	R168	QRD167J-103	10K	1/6W CARBON	
	R169	QRD167J-103	10K	1/6W CARBON	
	R171	QRD167J-682	6.8K	1/6W CARBON	
	R172	QRD167J-682	6.8K	1/6W CARBON	
	R180	QRD167J-103	10K	1/6W CARBON	
	R181	QRD167J-222	2.2K	1/6W CARBON	
	R182	QRD167J-181	180	1/6W CARBON	
	R190	QRD167J-103	10K	1/6W CARBON	
	R191	QRD167J-562	5.6K	1/6W CARBON	
	R193	QRD167J-103	10K	1/6W CARBON	
	R194	QRD167J-103	10K	1/6W CARBON	
	R195	QRD167J-473	47K	1/6W CARBON	

Δ : SAFETY PARTS

Resistors

Δ	ITEM	PART NUMBER	DESCRIPTION		AREA
	R196	QRD167J-103	10K	1/6W CARBON	B
	R196	QRD167J-103	10K	1/6W CARBON	C
	R196	QRD167J-222	2.2K	1/6W CARBON	D
	R196	QRD167J-222	2.2K	1/6W CARBON	E
	R196	QRD167J-222	2.2K	1/6W CARBON	F
	R196	QRD167J-222	2.2K	1/6W CARBON	G
	R197	QRD167J-222	2.2K	1/6W CARBON	
	R198	QRD167J-332	3.3K	1/6W CARBON	B
	R198	QRD167J-332	3.3K	1/6W CARBON	C
	R198	QRD167J-822	8.2K	1/6W CARBON	D
	R198	QRD167J-822	8.2K	1/6W CARBON	E
	R198	QRD167J-822	8.2K	1/6W CARBON	F
	R198	QRD167J-822	8.2K	1/6W CARBON	G
	R199	QRD167J-472	4.7K	1/6W CARBON	
	R210	QRD167J-222	2.2K	1/6W CARBON	
	R211	QRD167J-103	10K	1/6W CARBON	
	R212	QRD167J-473	47K	1/6W CARBON	
	R213	QRD167J-472	4.7K	1/6W CARBON	
	R214	QRD167J-102	1K	1/6W CARBON	
	R215	QRD167J-470	47	1/6W CARBON	
	R216	QRD167J-102	1K	1/6W CARBON	
	R228	QRD167J-222	2.2K	1/6W CARBON	
Δ	R229	QR0077-680	68	1/4W FUSIBLE	
	R232	QRD167J-153	15K	1/6W CARBON	

Δ : SAFETY PARTS

Others

Δ	ITEM	PART NUMBER	DESCRIPTION		AREA
			EMW10222-002(S)	PRINTED BOARD	
	K101	EN28101-007		INDUCTOR	E
	K101	EN28101-007		INDUCTOR	G
	L101	EQL4004-1R0		INDUCTOR	
	L106	EQL3001-102K		INDUCTOR	
	L120	EQL4004-1R0		INDUCTOR	
	S151	QSS6A12-E01		SLIDE SWITCH	B
	T101	EQR1111-014		AM RF COIL	
	T102	EQR1111-005		AM RF COIL	D
	T102	EQR1111-005		AM RF COIL	E
	T102	EQR1111-005		AM RF COIL	F
	T102	EQR1111-005		AM RF COIL	G
	T103	EQR1207-015		MW OSC COIL	
	T104	EQR1307-009		LW OSC COIL	D
	T104	EQR1307-009		LW OSC COIL	E
	T104	EQR1307-009		LW OSC COIL	F
	T104	EQR1307-009		LW OSC COIL	G
	T105	EQ2140-017		I.F. TRANSFORMER	
	T107	ECB1560-010		CERAMIC FILTER	
	AT101	EMB41YV-401K		ANTENNA TERMINAL	B
	AT101	EMB41YV-401K		ANTENNA TERMINAL	C
	AT101	EMB41YV-301K		ANTENNA TERMINAL	D
	AT101	EMB41YV-301K		ANTENNA TERMINAL	E
	AT101	EMB41YV-301K		ANTENNA TERMINAL	F
	AT101	EMB41YV-301K		ANTENNA TERMINAL	G
	CF101	ECB2123-006R		CERAMIC FILTER	B
	CF101	ECB2123-006R		CERAMIC FILTER	C
	CF101	ECB2118-007R		CERAMIC FILTER	D
	CF101	ECB2118-007R		CERAMIC FILTER	E
	CF101	ECB2118-007R		CERAMIC FILTER	F
	CF101	ECB2118-007R		CERAMIC FILTER	G
	CF102	ECB2123-006R		CERAMIC FILTER	B
	CF102	ECB2123-006R		CERAMIC FILTER	C
	CF102	ECB2118-007R		CERAMIC FILTER	D
	CF102	ECB2118-007R		CERAMIC FILTER	E
	CF102	ECB2118-007R		CERAMIC FILTER	F
	CF102	ECB2118-007R		CERAMIC FILTER	G
	EP101	E70225-001		EARTH PLATE	
	EP102	E70859-001		EARTH PLATE	
	EP103	E70859-001		EARTH PLATE	
	FE101	EAF2203-001		FRONT END	B
	FE101	EAF2203-001		FRONT END	C
	FE101	EAF2203-001		FRONT END	D
	FE101	EAF2203-003		FRONT END	E
	FE101	EAF2203-001		FRONT END	F
	FE101	EAF2203-003		FRONT END	G
	JB211	EMV7141-011		CONNECTOR(11PIN)	
	JT101	EMV7122-004		CONNECTOR[4PIN(J101)]	
	JT102	EMV7122-005		CONNECTOR[5PIN(J101)]	
	JT103	EMV7122-004		CONNECTOR[4PIN(J102)]	
	JT104	EMV7122-005		CONNECTOR[5PIN(J102)]	
	LP101	EQF0101-002		LOW PASS FILTER	
	LP102	EQF0102-001		LOW PASS FILTER	E
	LP102	EQF0102-001		LOW PASS FILTER	G
	TC105	ENZ1003-006		TRIMMER	
	TC106	ENZ1003-006		TRIMMER	D
	TC106	ENZ1003-006		TRIMMER	E
	TC106	ENZ1003-006		TRIMMER	F
	TC106	ENZ1003-006		TRIMMER	G
	XT102	ECX0007-200KC		RESONATOR	
	XT103	ECX0000-456KR		RESONATOR	

Δ : SAFETY PARTS





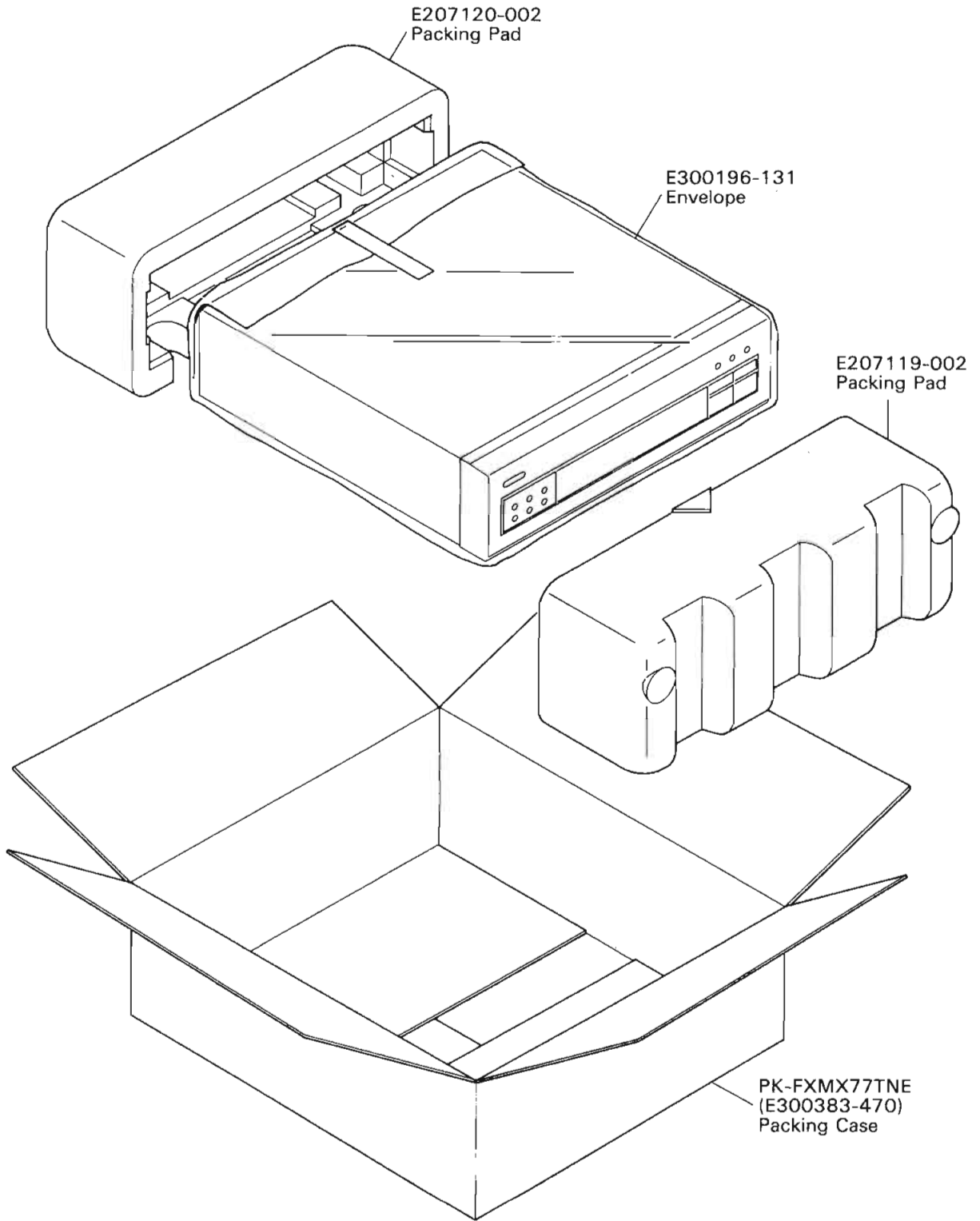
## Others

△	ITEM	PART NUMBER	DESCRIPTION	AREA
		EMW10223-002(S)	PRINTED BOARD	
	S201	ESP0001-023M	TACT SWITCH(WAKE-UP/SLEEP)	
	S202	ESP0001-023M	TACT SWITCH(TIMER 1)	
	S203	ESP0001-023M	TACT SWITCH(TIMER 2)	
	S204	ESP0001-023M	TACT SWITCH(DAILY)	
	S205	ESP0001-023M	TACT SWITCH(LOCK ADJ)	
	S206	ESP0001-023M	TACT SWITCH(CANCEL)	
	S207	ESP0001-023M	TACT SWITCH(MEMORY)	
	S208	ESP0001-023M	TACT SWITCH(FM)	
	S209	ESP0001-023M	TACT SWITCH(AM)	
	S210	ESP0001-023M	TACT SWITCH(FM MODE/MUTE)	
	S211	ESP0001-023M	TACT SWITCH(UP)	
	S212	ESP0001-023M	TACT SWITCH(DOWN)	
	S213	ESP0001-023M	TACT SWITCH(PRESET UP)	
	S214	ESP0001-023M	TACT SWITCH(PRESET DOWN)	
	BK201	E306958-002	FL DISPLAY HOLDER	
	FL201	ELU0001-101	FL TUBE	
	FS201	E306805-021	FELT SPACER	
	FW101	EWR39B-20LST	FLAT WIRE(9PIN)	
	FW102	EWR39B-20LST	FLAT WIRE(9PIN)	
	TC201	ENZ1003-015	TRIMMER	
	XT201	ECX4194-304CF	RESONATOR	

△ SAFETY PARTS

# Packing Materials and Part Numbers

(Only for Continental Europe , Scandinavia , Germany , Italy , the U.K.)



The Marks Designated Areas	
A.....Australia	EF.....Continental Europe
G.....Germany	U.....Universal Type
GI.....Italy	BS.....the U.K.
EN.....Scandinavia	No mark indicates all areas.

— MEMO —

— MEMO —

— MEMO —